

700 Series



Height adjustable Desk and Chairs



Price :
₹. 5990/-*

HA 700 & Integ 700 Series are designed as a basic school furniture to complement Interface's range of Institutional Furniture. These furniture are cost efficient and at the same durable & sturdy in its Design and Fabrication.

General Product Features

- Stainless Steel Fastners
- Multi layer plywood on top - HA 700
- Nylon Bushes for steady balance
- Stain free Powder Coated Finish
- Easy to assemble and transport design
- On time delivery and warranty



Comfort

A Natural Plywood back rest makes a smart and modern look and also functions to provide ventilation for the optimal comfort. - HA 700 D & S

Appearance

The Integrated seat and back rest design makes a sturdy, rigid yet light weight structure - Integ 700

Versatility

Interface with the multilevel products and features makes an elegant looks to its clients. Product choice are available from primary to University levels in furniture segment.



Bag hook



Nylon Bush



SS Fastners



Height Adjustable Slots



*Taxes Extra

Interface products has a modern appearance that allow a consistant furnishing image while meeting budget requirements.



Back & Seat

The back and seat of SA 700 S is made up of multi layer Natural Plywood and it is polised with melamine polish to ensure maximum glossy finish.

Height Adjustable fastners

The height adjustable fastners ensure the height of the desk and chair according the students heights and standards they study.

Sizes

HA 700 S

Table : L600 x W400 x H 750 /600

Chair : L375 x W375 x H 450 /300

HA 700 D

Table : L1050 x W400 x H 750 /600

Chair : L375 x W375 x H 450 /300



Product Features HA 700 Series

Rust proof powder coated structure - 17-18 MM Natural Plywood top with laminated design on top. Stainless steel fasteners to prevent long period rust free life - Nylon bushes to prevent scratches in the flooring. Easy to assamble design to save your valuable time - knock down version of the product which prevents transportation costs and damage during transit - 20x40 rectangle metal structure gives steady balance to the product for a long time.

*Taxes Extra

Integ Series

The term Integ represents the Desk and Bench are integrated to give sturdy and anti skid features. Integrated Desk and Benches are available from primary to university level applications.

Integ 754510



Integ 674010



Integ Series

Integ 603210



Price :
₹. 5690 /-*



Integ 502790



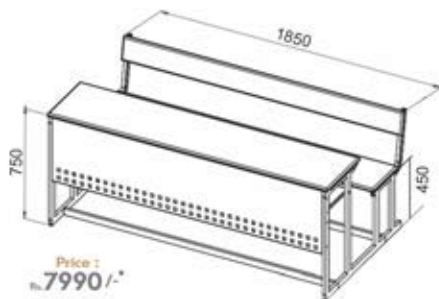
Price :
₹. 5490 /-*

Integ Series

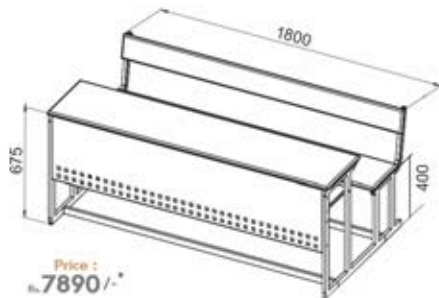
700 Series - 1050 mm

Rust proof powder coated structure to prevent rust for a longer life. 18 mm Customer choice top from particle board / MDF to multilayer (Plywood) top-20x40 mm metal structure rectangular pipe to give sturdy life. Bottom Nylon bushes to protect the metal structure from wet surface. The term 1050 mm normally represents 2 seater capacity and 1800 mm represents 4 seater capacity.

Integ 754518

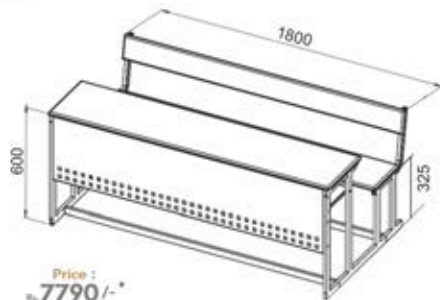


Integ 674018

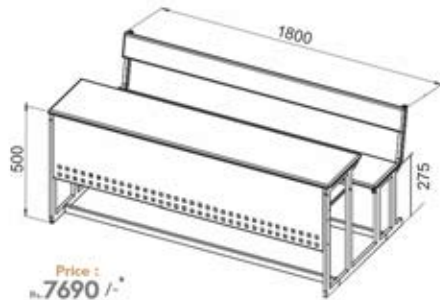


Integ Series

Integ 603218



Integ 502718





Mobile : +91-86109-58395
+91-73977-72323
+91-73387-84190

Email : enquiry@itcworld.in
www.itcworld.in

 Plot No.31, Hig-1 Eri Scheme 1st Main,
Mogappair, Chennai - 600 037.
Ph: +91 73387 84190

 113, Patel Street, Veerampalayam,
Kalapatti Post. Coimbatore - 641 048.
Ph: +91 90037 64714